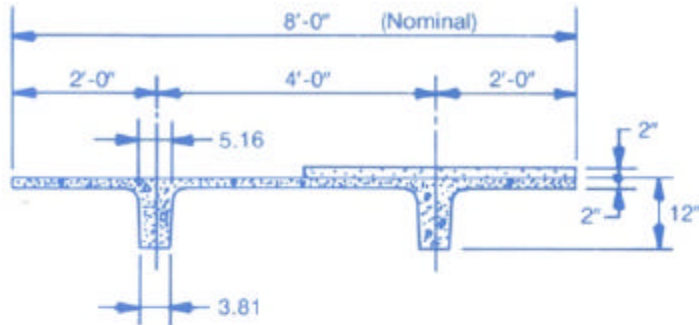


8'-0" Wide Double Tees

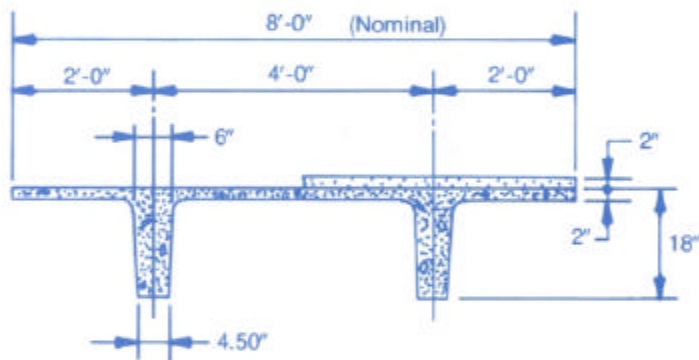
8DT12



Section Properties	Non-Composite	Composite
A(in ²)	282	
I(in ⁴)	2827	4304
Y _b (in.)	9.17	10.49
S _t (in ³)	999	2856*
S _b (in ³)	308	410
Normal Weight (150 pcf)	37 psf 293 plf	62 psf 493 pls
Lightweight (115 pcf)	28 psf 225 plf	54 psf 434 plf

*At top of precast

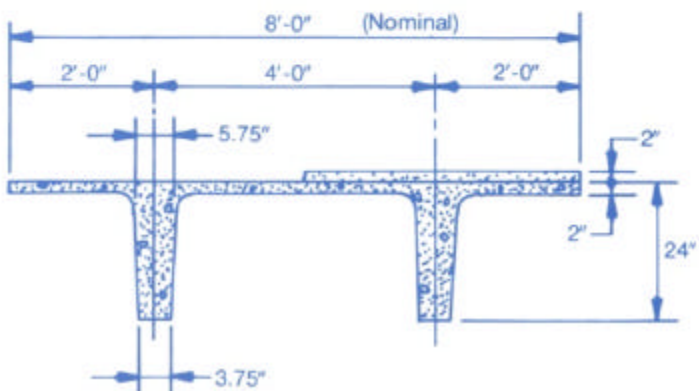
8DT18



Section Properties	Non-Composite	Composite
A(in ²)	360	
I(in ⁴)	10279	14146
Y _b (in.)	12.98	14.74
S _t (in ³)	2047	4337*
S _b (in ³)	792	960
Normal Weight (150 pcf)	47 psf 375 plf	72 psf 576 plf
Lightweight (115 pcf)	40 psf 288 plf	60 psf 480 plf

*At top of precast

8DT24



Section Properties	Non-Composite	Composite
A(in ²)	401	
I(in ⁴)	20984	27723
Y _b (in.)	17.15	19.27
S _t (in ³)	3063	5864*
S _b (in ³)	1224	1439
Normal Weight (150 pcf)	52 psf 418 plf	77 psf 616 plf
Lightweight (115 pcf)	40 psf 320 plf	63 psf 504 plf

*At top of precast